

EXTERNAL GEAR PUMPS - EG Series

WORKING PRINCIPLE:

The External gear pump employs two identical gears rotating against each other - one gear is driven by a motor and it in turn drives the other gear. As the gears come out of mesh, they create expanding volume on the inlet side of the pump. Liquid flows into the cavity and is trapped by the gear teeth as they rotate. Liquid travels around the interior of the casing in the pockets between the teeth and the casing.

MAIN APPLICATIONS:

- Transfer, booster and Process pumping for general industry needs
- Unloading of tank lorries and rail car
- Loading of rail cars, tank lorries and barrel filling

LIQUIDS:

- All grade of fuel oils, Lube oil, Paints, Varnish, Resins, Grease and similar high/low viscous products having some lubricating value



EXTERNAL GEAR PUMP

PRODUCT SPECIFICATIONS AND FEATURES:

Casing	Cast Iron
Cover	Cast Iron
Gears	Carbon Steel - Nitrided
Shaft	SS 410
Seal	Non Asbestos Gland Pack / Mechanical seal
Capacity	125 - 850 lpm
Outlet Pressure	Up to 10 bar
Viscosity	6 - 5000 cSt
Temperature	Up to 140°C
Speed	Up to 1450 rpm
Drive	Direct Only
Rotation	Anti-clockwise facing pump drive shaft

VALUE PROPOSITION:

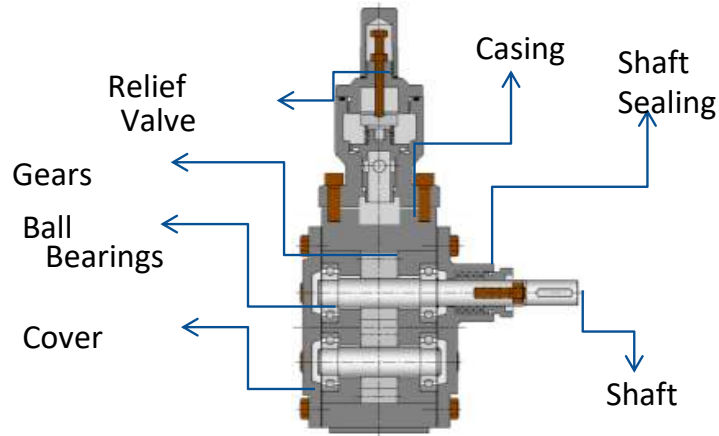
- High speed
- No overhung bearing loads
- Protected by a relief valve
- Relatively quiet operation
- Single sealing, external bearing
- Low noise and pulsation
- Reversibility
- Easy maintenance

MARKET SEGMENTS:

- Power Generation
- Steel
- Paint
- Chemical
- Oil Depots

CONSTRUCTION:

Each gear is supported by shaft with bearings on both the sides of the gear. Because the gears are supported on both the sides, external gear pumps are quiet - running and are routinely used for low and medium applications. With no overhung bearing loads, the rotor shaft can not deflect and cause premature wear. Comes with a Built-in Relief valve



PERFORMANCE DATA :

Pump Model	Capacity / Power	Pressure (bar)				Suction & Discharge
		0	2	4	6	
R-25-EG (35)	Capacity (lpm)	150	145	141	136	2" BSP
	Power (kW)	1.38	1.77	2.18	2.72	
R-50-EG (55)	Capacity (lpm)	234	225	220	215	2" BSP
	Power (kW)	1.92	2.74	3.37	4.25	
R-75-EG (80)	Capacity (lpm)	420	410	405	400	3" ANSI, B16.5, 125#
	Power (kW)	5.35	6.45	7.74	8.21	
R-100-EG (125)	Capacity (lpm)	655	649	645	638	3" ANSI, B16.5, 125#
	Power (kW)	7.21	9.92	11.95	12.98	

Testing Medium: Lube Oil Viscosity: 75 cSt Speed: 1450

* For special requirements, contact CIRCOR Sales Team

ALLWEILER INDIA PVT. LTD.

LODHA iThink, 9th Floor, A wing
 Off Eastern Express Highway, Behind Viviana Mall,
 Chirak Nagar, Thane West, Maharashtra 400607
 Tel. +91-22-69197300
 Email - salesho@circor.com

Chennai | Coimbatore | Daman | Kolkata
 Mumbai | Noida | Pune | Secunderabad

